

Shaft collars

Steel / Stainless Steel

SPECIFICATION

Types

- Type **A**: Grub screw with slot ISO 7434 (DIN 553)
- Type **E**: Grub screw with internal hexagon DIN 914

Version in Steel

blackened (Standard)

Version in zinc plated

Steel

zinc plated, blue passivated **ZB**

Version in Stainless Steel

AISI 303 **NI**



INFORMATION

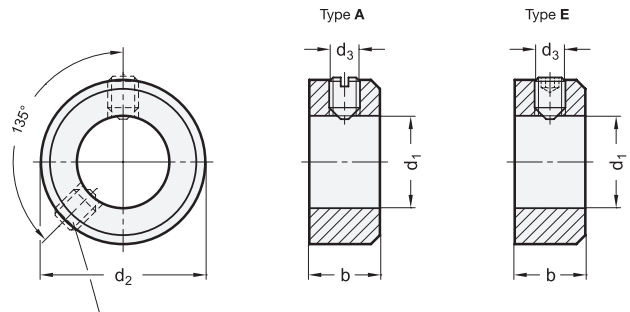
Shaft collars GN 705 essentially comply with the designs of DIN 705 which has been re-issued in April 2007.

The official standard sheet also lists the sizes $d_2 = 2 / 2.5 / 3 / 3.5 / 4 / 4.5 / 85 / 90 / 100 / 110 / 120 / 125 / 125 / 140 / 150 / 160 / 180$ and 200, although it does not show a whole series of the intermediate sizes listed in the above table.

Also, the official standard sheet still lists the Types B and C for fixing the set collars with transverse pin, but not Type E.

TECHNICAL INFORMATION

- ISO-Fundamental Tolerances (see page A21)
- Stainless Steel characteristics (see page A26)



* Complete with type index of the Shaft collars

- A** with slot
- E** with internal hexagon

Second grub screw for size $d_1 = 80$

GN 705-ST

Description	d1 H8	d2	d3	b js14	⚖
GN 705-5-*	5	10	M3x4	6	3
GN 705-6-*	6	12	M4x5	8	5
GN 705-7-*	7	12	M4x5	8	5
GN 705-8-*	8	16	M4x6	8	10
GN 705-9-*	9	18	M5x8	10	14
GN 705-10-*	10	20	M5x8	10	18
GN 705-11-*	11	20	M5x8	10	16
GN 705-12-*	12	22	M6x8	12	26
GN 705-13-*	13	22	M6x8	12	26
GN 705-14-*	14	25	M6x8	12	32
GN 705-15-*	15	25	M6x8	12	34
GN 705-16-*	16	28	M6x8	12	38
GN 705-18-*	18	32	M6x8	14	50
GN 705-20-*	20	32	M6x8	14	52
GN 705-22-*	22	36	M6x10	14	69
GN 705-24-*	24	40	M8x12	16	90
GN 705-25-*	25	40	M8x10	16	93
GN 705-26-*	26	40	M8x10	16	100
GN 705-28-*	28	45	M8x12	16	122

GN 705-ST

Description	d1 H8	d2	d3	b js14	⚖
GN 705-30-*	30	45	M8x10	16	136
GN 705-32-*	32	50	M8x12	16	142
GN 705-34-*	34	50	M8x12	16	152
GN 705-35-*	35	56	M8x12	16	166
GN 705-36-*	36	56	M8x12	16	180
GN 705-38-*	38	56	M8x12	16	187
GN 705-40-*	40	63	M10x16	18	220
GN 705-42-*	42	63	M10x16	18	244
GN 705-45-*	45	70	M10x16	18	261
GN 705-48-*	48	70	M10x16	18	287
GN 705-50-*	50	80	M10x16	18	317
GN 705-52-*	52	80	M10x16	18	408
GN 705-55-*	55	80	M10x16	18	429
GN 705-60-*	60	90	M10x16	20	552
GN 705-65-*	65	100	M10x20	20	607
GN 705-70-*	70	100	M10x20	20	687
GN 705-75-*	75	110	M12x20	22	768
GN 705-80-*	80	110	M12x20	22	858

Weight type A



Machine elements

GN 705-ZB

Description	d1 H8	d2	d3	b js14	
GN 705-5-E-ZB	5	10	M3x4	6	3
GN 705-6-E-ZB	6	12	M4x5	8	4
GN 705-7-E-ZB	7	12	M4x5	8	5
GN 705-8-E-ZB	8	16	M4x6	8	10
GN 705-9-E-ZB	9	18	M5x8	10	16
GN 705-10-E-ZB	10	20	M5x8	10	18
GN 705-11-E-ZB	11	20	M5x8	10	18
GN 705-12-E-ZB	12	22	M6x8	12	22
GN 705-13-E-ZB	13	22	M6x8	12	24
GN 705-14-E-ZB	14	25	M6x8	12	30
GN 705-15-E-ZB	15	25	M6x8	12	32
GN 705-16-E-ZB	16	28	M6x8	12	37
GN 705-18-E-ZB	18	32	M6x8	14	50
GN 705-20-E-ZB	20	32	M6x8	14	52
GN 705-22-E-ZB	22	36	M6x10	14	69
GN 705-24-E-ZB	24	40	M8x12	16	80
GN 705-25-E-ZB	25	40	M8x10	16	91
GN 705-26-E-ZB	26	40	M8x10	16	96
GN 705-28-E-ZB	28	45	M8x12	16	111
GN 705-30-E-ZB	30	45	M8x10	16	122
GN 705-32-E-ZB	32	50	M8x12	16	142
GN 705-35-E-ZB	35	56	M8x12	16	187
GN 705-40-E-ZB	40	63	M10x16	18	254
GN 705-45-E-ZB	45	70	M10x16	18	317
GN 705-50-E-ZB	50	80	M10x16	18	400
GN 705-60-E-ZB	60	90	M10x16	20	552
GN 705-70-E-ZB	70	100	M10x20	20	607
GN 705-80-E-ZB	80	110	M12x20	22	768

GN 705-NI

STAINLESS STEEL

Description	d1 H8	d2	d3	b js14	
GN 705-5-E-NI	5	10	M3x4	6	3
GN 705-6-E-NI	6	12	M4x5	8	3
GN 705-7-E-NI	7	12	M4x5	8	4
GN 705-8-E-NI	8	16	M4x6	8	10
GN 705-9-E-NI	9	18	M5x8	10	15
GN 705-10-E-NI	10	20	M5x8	10	17
GN 705-11-E-NI	11	20	M5x8	10	18
GN 705-12-E-NI	12	22	M6x8	12	23
GN 705-13-E-NI	13	22	M6x8	12	25
GN 705-14-E-NI	14	25	M6x8	12	28
GN 705-15-E-NI	15	25	M6x8	12	31
GN 705-16-E-NI	16	28	M6x8	12	38
GN 705-18-E-NI	18	32	M6x8	14	53
GN 705-20-E-NI	20	32	M6x8	14	59
GN 705-22-E-NI	22	36	M6x10	14	69
GN 705-24-E-NI	24	40	M8x12	16	88
GN 705-25-E-NI	25	40	M8x10	16	93
GN 705-26-E-NI	26	40	M8x10	16	99
GN 705-28-E-NI	28	45	M8x12	16	100
GN 705-30-E-NI	30	45	M8x10	16	109
GN 705-32-E-NI	32	50	M8x12	16	142
GN 705-34-E-NI	34	50	M8x12	16	150
GN 705-35-E-NI	35	56	M8x12	16	160
GN 705-36-E-NI	36	56	M8x12	16	187
GN 705-38-E-NI	38	56	M8x12	16	200
GN 705-40-E-NI	40	63	M10x16	18	258
GN 705-42-E-NI	42	63	M10x16	18	220
GN 705-45-E-NI	45	70	M10x16	18	300
GN 705-48-E-NI	48	70	M10x16	18	380
GN 705-50-E-NI	50	80	M10x16	18	425